

DEVICE CATEGORY COLORS

AMB	COM	LTR	VAC
AUDIO	COMMUNICATIONS	LIGHTING	VACUUM
VID	POWER	SHADES	FURNISHINGS
CON	HVAC	HARDWARE	FIRE
NET	SEC	ACC	SEC
NETWORK	SURVEILLANCE	ACCESS	SECURITY
INFRASTRUCTURE	CONTROL	ALARM	

DEVICE STATUS

NEW	EXISTING	FUTURE
-----	----------	--------

DEVICE MOUNT TYPE ABBREVIATIONS

C = CEILING	POD = PODIUM
DES = DESKTOP	POL = POLE
FL = FLOOR	RK = RACK
F = FLUSH	R = ROOF
G = GROUND	REC = RECESSED
H = HIDDEN	SH = SHELF
M = MULLION	S = SURFACE
O = OUTDOOR	T = TURNSTYLE
P = PEDISTAL	W = WALL

NOTICE:
IT IS A VIOLATION OF LAW FOR ANY PERSON, UNLESS ACTING UNDER THE PERMISSION OF TECHNOLOGY ASSOCIATES TO ALTER OR COPY ANY PART OF THIS DOCUMENT IN ANY WAY. THIS DOCUMENT IS THE PROPERTY OF TECHNOLOGY ASSOCIATES AND SHALL NOT BE DUPLICATED WITHOUT WRITTEN PERMISSION FROM TECHNOLOGY ASSOCIATES.

TITLE
HEMPEN THEATER

DESCRIPTION
AV FLOOR PLAN

PROJECT MANAGER
KC

DRAWN BY
BC

DATE
10/4/2022

REVISED
10/4/2022

NEXT WIRE NO.
0

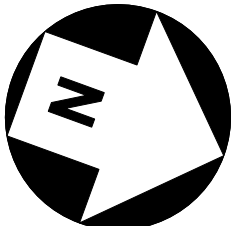
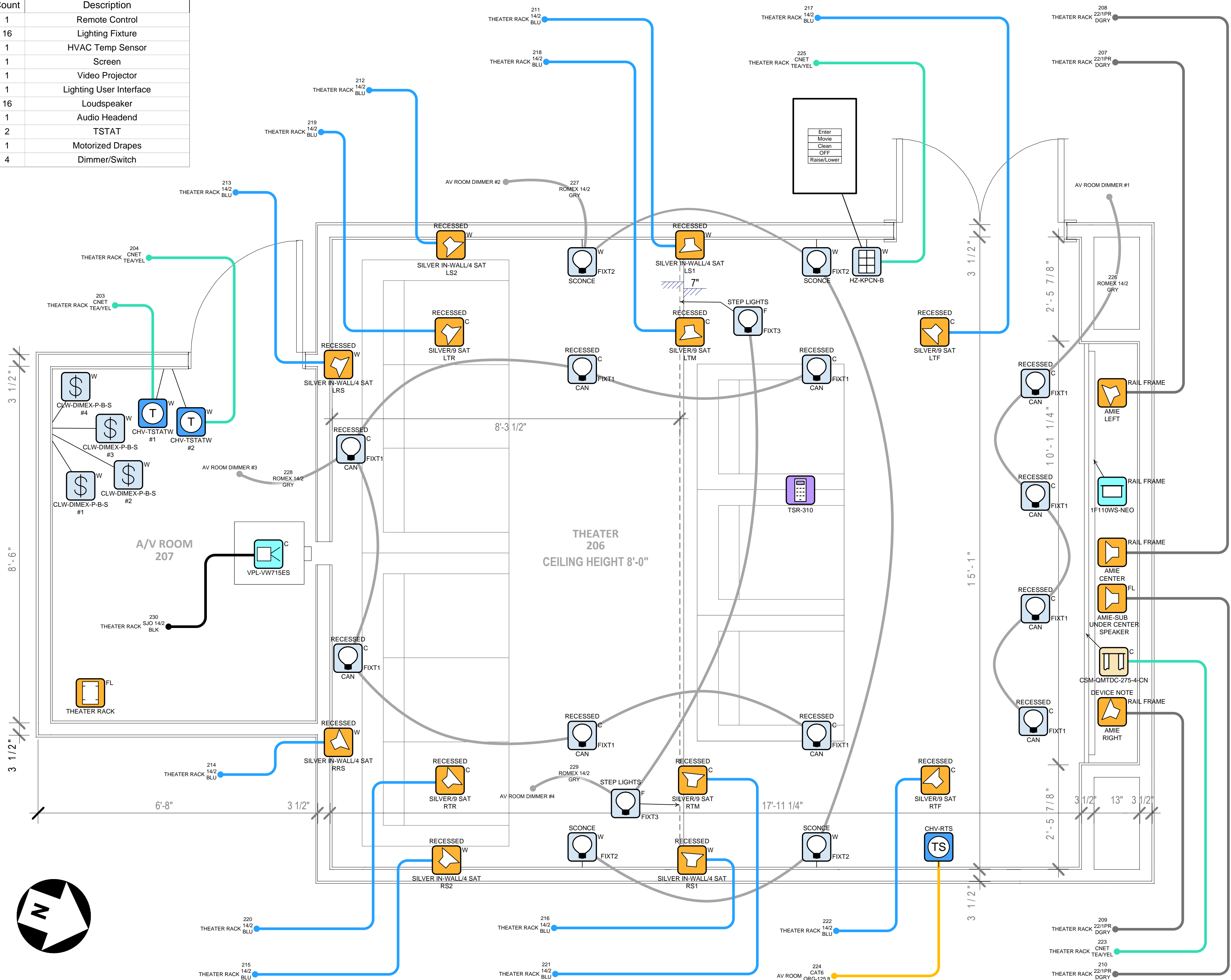
SCALE
19/64" = 1'-0"

PROJECT NUMBER
50-1775

PAGE
2 OF 46

Legend

Symbol	Count	Description
[Remote Control]	1	Remote Control
[Lighting Fixture]	16	Lighting Fixture
[HVAC Temp Sensor]	1	HVAC Temp Sensor
[Screen]	1	Screen
[Video Projector]	1	Video Projector
[Lighting User Interface]	1	Lighting User Interface
[Loudspeaker]	16	Loudspeaker
[Audio Headend]	1	Audio Headend
[TSTAT]	2	TSTAT
[Motorized Drapes]	1	Motorized Drapes
[Dimmer/Switch]	4	Dimmer/Switch



DEVICE CATEGORY COLORS

AUDIO	COMMUNICATIONS	LIGHTING	VACUUM
VIDEO	POWER	SHADES	FLOOR/FRONT
CONTROL	WALL	SHAWLS	FRONT
NET	SUB	ACCESS	SECURITY
INFRASTRUCTURE	NETWORK SURVEILLANCE	CONTROL	ALARM

DEVICE STATUS

NEW	EXISTING	FUTURE
-----	----------	--------

DEVICE MOUNT TYPE ABBREVIATIONS

C = CEILING	POD = PODIUM
DES = DESKTOP	POL = POLE
FL = FLOOR	RR = RACK
F = FLUSH	R = ROOF
G = GROUND	REC = RECESSED
H = HIDDEN	SH = SHELF
M = MULLION	S = SURFACE
O = OUTDOOR	T = TURNSTYLE
P = PEDISTAL	W = WALL

NOTICE:
IT IS A VIOLATION OF LAW FOR ANY PERSON, UNLESS ACTING UNDER THE PERMISSION OF TECHNOLOGY ASSOCIATES TO ALTER OR COPY ANY PART OF THIS DOCUMENT IN ANY WAY. THIS DOCUMENT IS THE PROPERTY OF TECHNOLOGY ASSOCIATES AND SHALL NOT BE DUPLICATED WITHOUT WRITTEN PERMISSION FROM TECHNOLOGY ASSOCIATES.

TITLE
HEMPEN THEATER

DESCRIPTION
SYSTEM BLOCK DIAGRAM

PROJECT MANAGER
KC

DRAWN BY
BC

DATE
10/4/2022

REVISED
10/4/2022

NEXT WIRE NO.
231

SCALE
NONE

PROJECT NUMBER
50-1775

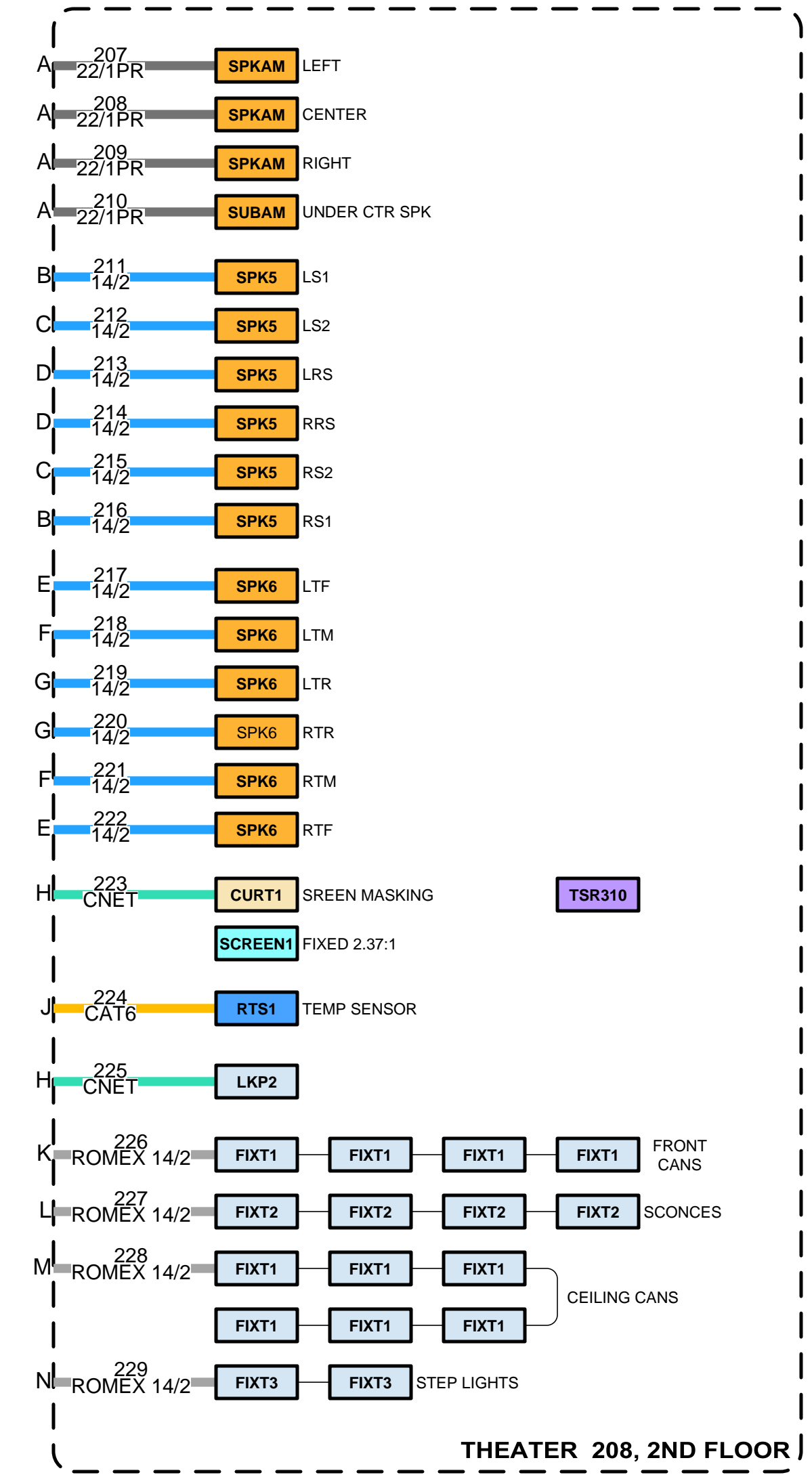
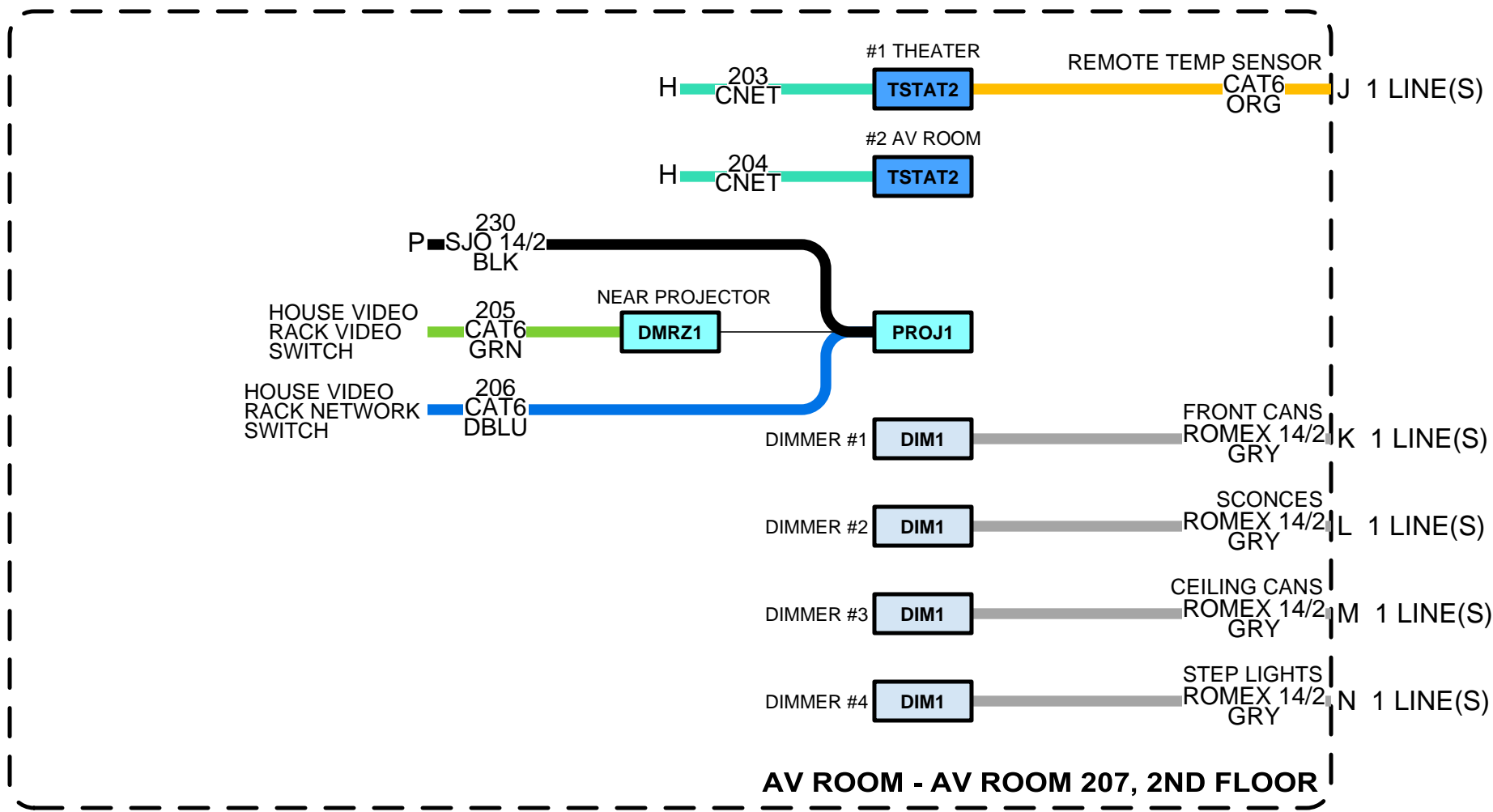
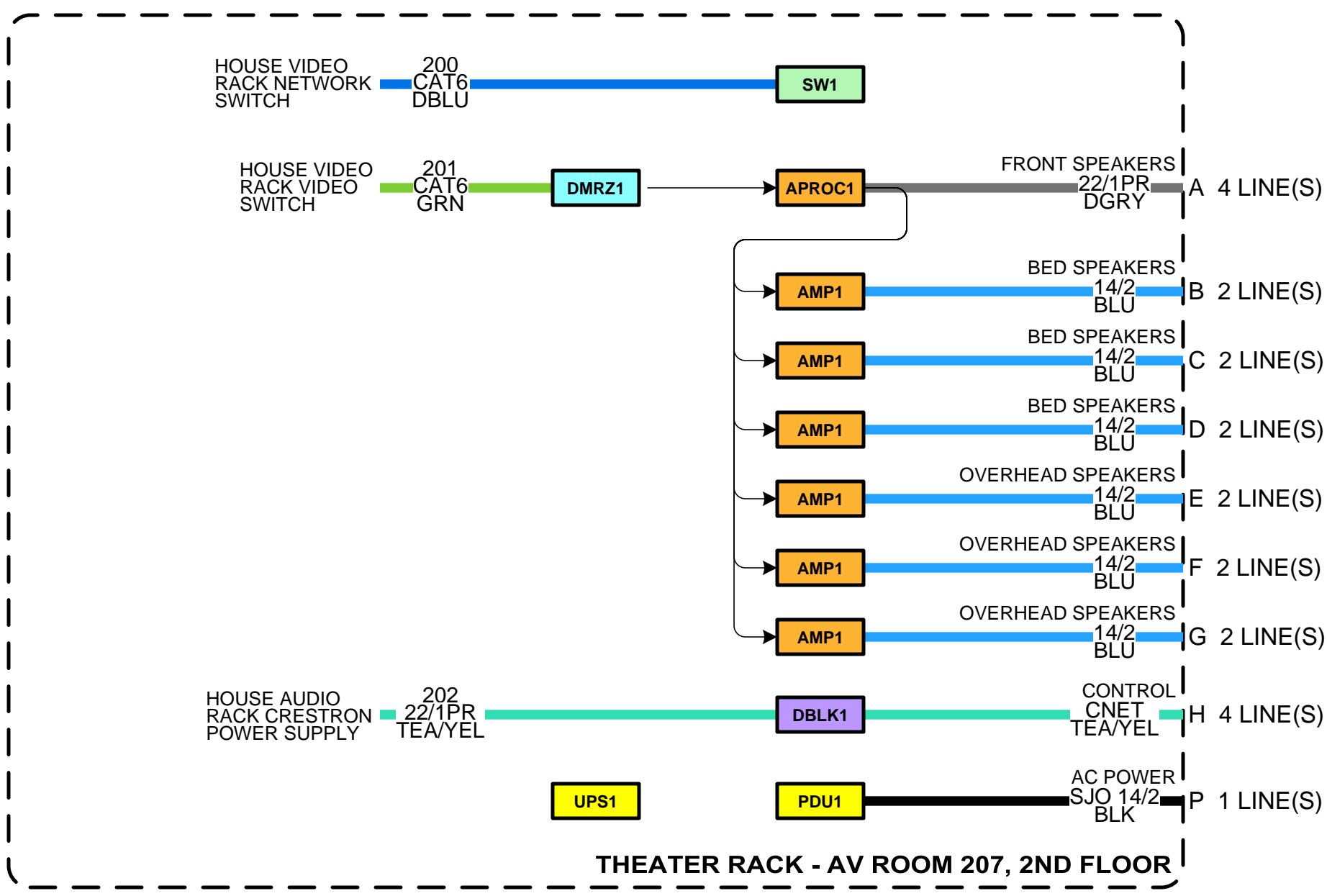
PAGE
3 OF 46

BoM by Manufacturer

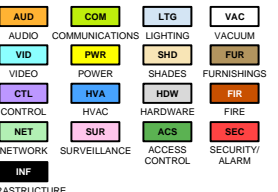
Manufacturer	Model No	Reference ID	Subcategory	Quantity
Crestron	AMP-2210T	AMP1	Amplifier	6
Crestron	CHV-RTS	RTS1	Sensor	1
Crestron	CLW-DIMEX-P-B-S	DIM1	Dimmer	4
Crestron	CNTBLOCK	DBLK1	Block	1
Crestron	CSM-QMTDC-275-4-CN	CURT1	Shade	1
Crestron	DM-RMC-4KZ-100-C	DMRZ1	Receiver	2
Crestron	HZ-KPCN-B	LKP2	Keypad	1
Crestron	HZ-THSTAT-W	TSTAT2	Thermostat	2
Crestron	TSR-310	TSR310	Remote	1
Indy Audio Labs	Acurus MUSE	APROC1	Processor	1
Manufacturer (TBD)	Model (TBD)	FIXT1	Subcategory	10
Manufacturer (TBD)	Model (TBD)	FIXT2	Subcategory	4
Manufacturer (TBD)	Model (TBD)	FIXT3	Subcategory	2
Meyer Sound	AMIE	SPKAM	Speaker	3
Meyer Sound	AMIE-SUB	SUBAM	Speaker	1
Seymour Screen Ex.	1F110WS-NEO	SCREEN1	Screen	1
Snap One	AN-310-SW-R-8	SW1	Switch	1
Snap One	WB-800-IPVM-12	PDU1	PDU	1
Snap One	WB-OVRC-UPS-1500-1	UPS1	UPS	1
Sony	VPL-VW715ES	PROJ1	Projector	1
Triad Speakers	Silver IN-WALL/4 Sat	SPK5	Speaker	6
Triad Speakers	SILVER/9 SAT	SPK6	Speaker	6

Pre-Wire Schedule by Room

To Room Name	To Room No	To Floor	To Area	To Location	From Floor	From Room Name	From Area	Wire Number	Wire Type	FUNCTION	Wire Length (ft)
AV Room	207	2nd Floor	AV Room	#1 Theater TSTAT	2nd Floor	AV Room	Theater Rack	203	CNET-TEA/YEL	Control	125
AV Room	207	2nd Floor	AV Room	#2 AV Room TSTAT	2nd Floor	AV Room	Theater Rack	204	CNET-TEA/YEL	Control	125
AV Room	207	2nd Floor	AV Room	Projector	2nd Floor	AV Room	Theater Rack	230	SJO 14/2-BLK	AC Power	125
AV Room	207	2nd Floor	AV Room	Projector	2nd Floor	House Office Closet	House Video Rack	206	CAT6-DBLU	Network	125
AV Room	207	2nd Floor	AV Room	Projector	2nd Floor	House Office Closet	House Video Rack	205	CAT6-GRN	Projector Video	125
AV Room	207	2nd Floor	Theater Rack		2nd Floor	House Office Closet	House Audio Rack	202	22/1PR-TEA/YEL	Control	125
AV Room	207	2nd Floor	Theater Rack		2nd Floor	House Office Closet	House Video Rack	201	CAT6-GRN	Processor Audio	125
AV Room	207	2nd Floor	Theater Rack		2nd Floor	House Office Closet	House Video Rack	200	CAT6-DBLU	Network	125
Count	8										
Theater	208	2nd Floor		East Step Light	2nd Floor	AV Room	AV Room	229	ROMEX 14/2-GRY	Step Lights	125
Theater	208	2nd Floor		East Wall	2nd Floor	AV Room	AV Room	224	CAT6-ORG	Remote Temp Sensor	125
Theater	208	2nd Floor		South West Sconce	2nd Floor	AV Room	AV Room	227	ROMEX 14/2-GRY	Sconces	125
Theater	208	2nd Floor		North West Front Can	2nd Floor	AV Room	AV Room	226	ROMEX 14/2-GRY	Front Cans	125
Theater	208	2nd Floor		South West Ceiling Can	2nd Floor	AV Room	AV Room	228	ROMEX 14/2-GRY	Ceiling Cans	125
Theater	208	2nd Floor		Left	2nd Floor	AV Room	Theater Rack	207	22/1PR-DGRY	Front Speakers	125
Theater	208	2nd Floor		Center	2nd Floor	AV Room	Theater Rack	208	22/1PR-DGRY	Front Speakers	125
Theater	208	2nd Floor		Right	2nd Floor	AV Room	Theater Rack	209	22/1PR-DGRY	Front Speakers	125
Theater	208	2nd Floor		Under CTR	2nd Floor	AV Room	Theater Rack	210	22/1PR-DGRY	Front Speakers	125
Theater	208	2nd Floor		LS1	2nd Floor	AV Room	Theater Rack	211	14/2-BLU	Bed Speakers	125
Theater	208	2nd Floor		LRS	2nd Floor	AV Room	Theater Rack	213	14/2-BLU	Bed Speakers	125
Theater	208	2nd Floor		LS2	2nd Floor	AV Room	Theater Rack	212	14/2-BLU	Bed Speakers	125
Theater	208	2nd Floor		RRS	2nd Floor	AV Room	Theater Rack	214	14/2-BLU	Bed Speakers	125
Theater	208	2nd Floor		RS2	2nd Floor	AV Room	Theater Rack	215	14/2-BLU	Bed Speakers	125
Theater	208	2nd Floor		RS1	2nd Floor	AV Room	Theater Rack	216	14/2-BLU	Bed Speakers	125
Theater	208	2nd Floor		LTF	2nd Floor	AV Room	Theater Rack	217	14/2-BLU	Overhead Speakers	125
Theater	208	2nd Floor		LTM	2nd Floor	AV Room	Theater Rack	218	14/2-BLU	Overhead Speakers	125
Theater	208	2nd Floor		LTR	2nd Floor	AV Room	Theater Rack	219	14/2-BLU	Overhead Speakers	125
Theater	208	2nd Floor		RTR	2nd Floor	AV Room	Theater Rack	220	14/2-BLU	Overhead Speakers	125
Theater	208	2nd Floor		RTM	2nd Floor	AV Room	Theater Rack	221	14/2-BLU	Overhead Speakers	125
Theater	208	2nd Floor		RTF	2nd Floor	AV Room	Theater Rack	222	14/2-BLU	Overhead Speakers	125
Theater	208	2nd Floor		West Wall Keypad	2nd Floor	AV Room	Theater Rack	225	CNET-TEA/YEL	Control	125
Theater	208	2nd Floor		Curtain	2nd Floor	AV Room	Theater Rack	223	CNET-TEA/YEL	Control	125
Count	23										



DEVICE CATEGORY COLORS



DEVICE STATUS



DEVICE MOUNT TYPE ABBREVIATIONS

- C = CEILING
- DES = DESKTOP
- FL = FLOOR
- F = FLUSH
- G = GROUND
- H = HIDDEN
- M = MULLION
- P = PEDISTAL
- POD = POULUM
- POL = POLE
- RK = RACK
- R = ROOF
- REC = RECESSED
- SH = SHELF
- S = SURFACE
- T = TURNSTYLE
- W = WALL

NOTICE:

IT IS A VIOLATION OF LAW FOR ANY PERSON, UNLESS ACTING UNDER THE PERMISSION OF TECHNOLOGY ASSOCIATES TO ALTER OR COPY ANY PART OF THIS DOCUMENT IN ANY WAY. THIS DOCUMENT IS THE PROPERTY OF TECHNOLOGY ASSOCIATES AND SHALL NOT BE DUPLICATED WITHOUT WRITTEN PERMISSION FROM TECHNOLOGY ASSOCIATES.

TITLE

HEMPEN THEATER

DESCRIPTION

RACK SCHEMATICS

PROJECT MANAGER

KC

DRAWN BY

BC

DATE

10/4/2022

REVISED

10/4/2022

NEXT WIRE NO.

0

SCALE

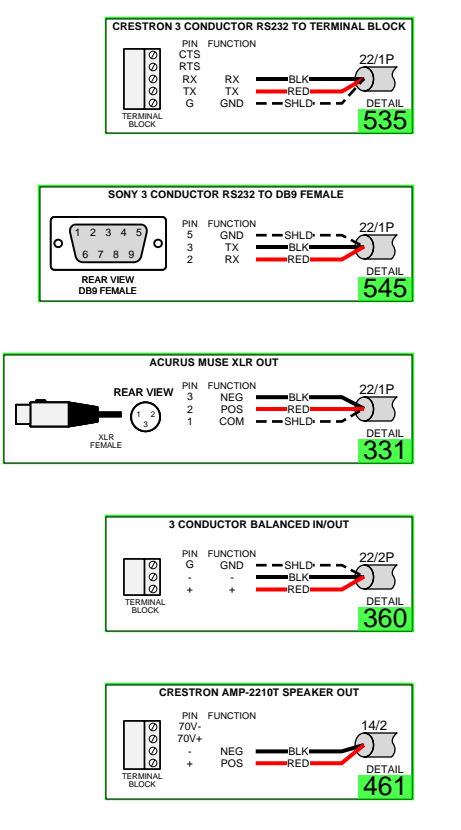
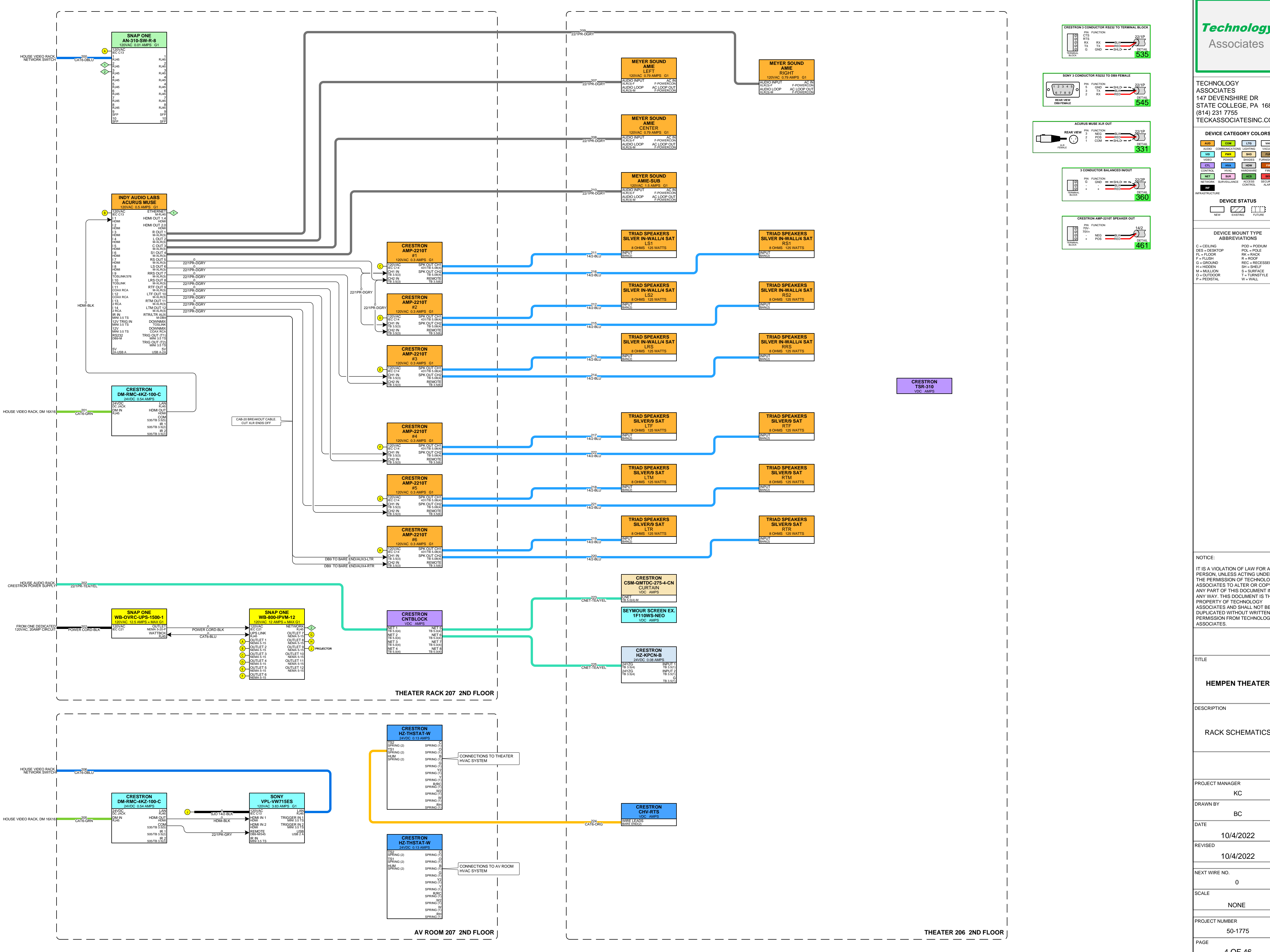
NONE

PROJECT NUMBER

50-1775

PAGE

4 OF 46



CRESTRON
TSR-310
VDC AMPS

THEATER RACK 207 2ND FLOOR

AV ROOM 207 2ND FLOOR

THEATER 206 2ND FLOOR

DEVICE CATEGORY COLORS

AMB	COM	LTN	VAC
AUDIO	COMMUNICATIONS	LIGHTING	VACUUM
VID	PRN	SHD	FURFURPHOS
VIDEO	POWER	SHADES	FURFURPHOS
CON	HW	HW	HW
CONTROL	HW	HW	HW
NET	SEC	SEC	SEC
NETWORK	SURVEILLANCE	ACCESS	SECURITY
		CONTROL	ALARM

DEVICE STATUS

NEW	EXISTING	FUTURE
-----	----------	--------

DEVICE MOUNT TYPE ABBREVIATIONS

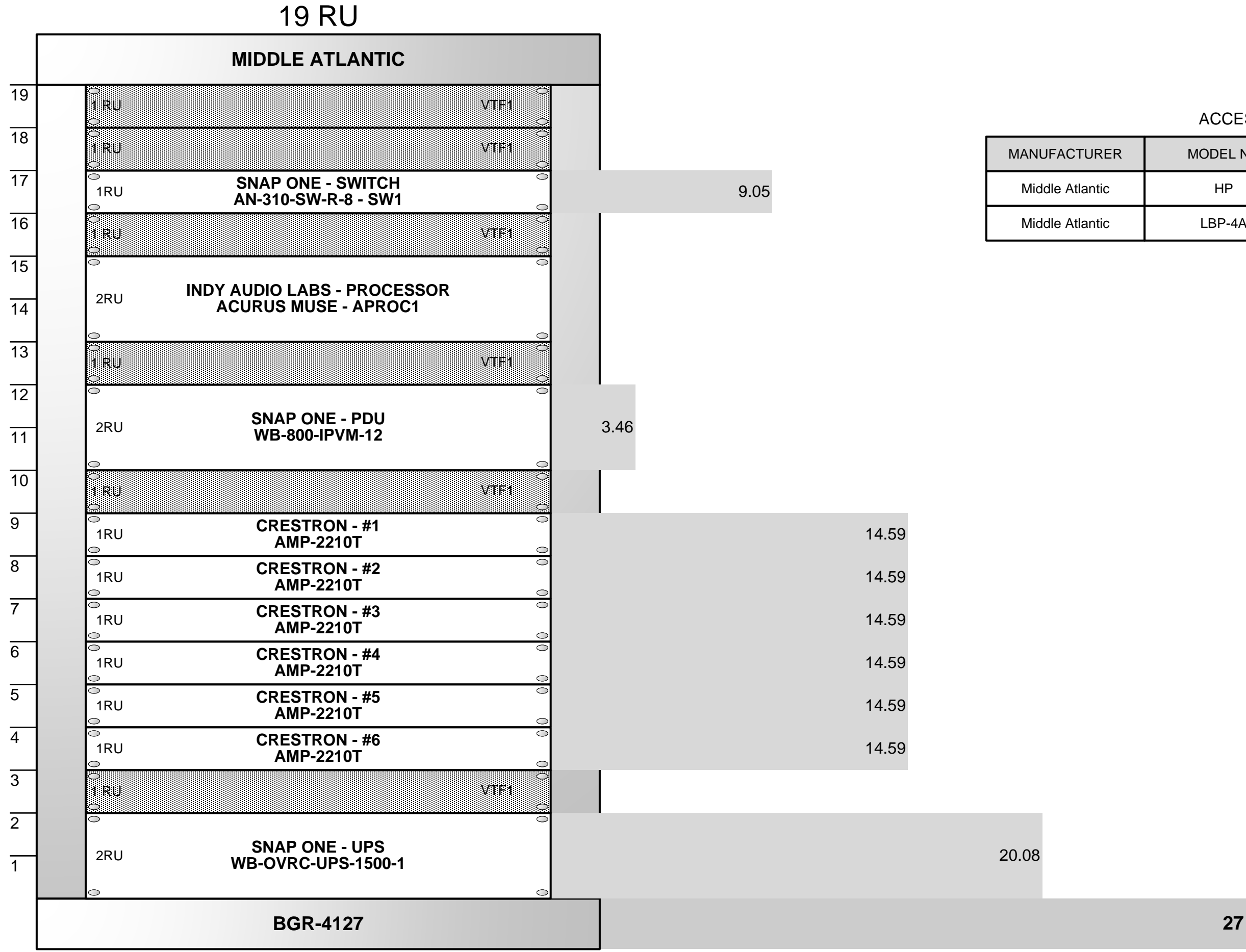
C = CEILING	POD = PODIUM
DES = DESKTOP	POL = POLE
FL = FLOOR	RR = RACK
F = FLUSH	R = ROOF
G = GROUND	REC = RECESSED
H = HIDDEN	SH = SHELF
M = MULLION	S = SURFACE
O = OUTDOOR	T = TURNSTYLE
P = PEDISTAL	W = WALL

AC Current and Ventilation Totals

	Current [Typical] (Amps)	Heat [Typical] (Btu/h)	Ventilation [Typical] (CFM)
Total	2.81	609.47	56.43

Rack(s) Bill of Materials

Manufacturer	Model No	Description	Pieces/Package	Quantity
Middle Atlantic	BGR-4127	BGR SERIES 19" GANGABLE ENCLOSURES		1
Middle Atlantic	HP	10-32 Rackscrew Truss-Head - 100 Piece		1
Middle Atlantic	LBP-4A	Lace Bar 4 Inch Offset, L-Shaped - 10 Pieces		1
Middle Atlantic	VTF1	1 RU Rack Vent Panel, Perforated with 25% Open Area		6



ACCESSORIES

MANUFACTURER	MODEL NO	DESCRIPTION	PCS/PKG
Middle Atlantic	HP	10-32 Rackscrew Truss-Head - 100 Piece	
Middle Atlantic	LBP-4A	Lace Bar 4 Inch Offset, L-Shaped - 10 Pieces	

Rack Dimensions

Manufacturer	Model No	Rack Height (RU)	Overall Rack Height (in)	Width (in)	Depth (in)
Middle Atlantic	BGR-4127	19	37.38	23	27

NOTICE:
IT IS A VIOLATION OF LAW FOR ANY PERSON, UNLESS ACTING UNDER THE PERMISSION OF TECHNOLOGY ASSOCIATES TO ALTER OR COPY ANY PART OF THIS DOCUMENT IN ANY WAY. THIS DOCUMENT IS THE PROPERTY OF TECHNOLOGY ASSOCIATES AND SHALL NOT BE DUPLICATED WITHOUT WRITTEN PERMISSION FROM TECHNOLOGY ASSOCIATES.

TITLE
HEMPEN THEATER

DESCRIPTION
RACK ELEVATIONS

PROJECT MANAGER
KC

DRAWN BY
BC

DATE
10/4/2022

REVISED
10/4/2022

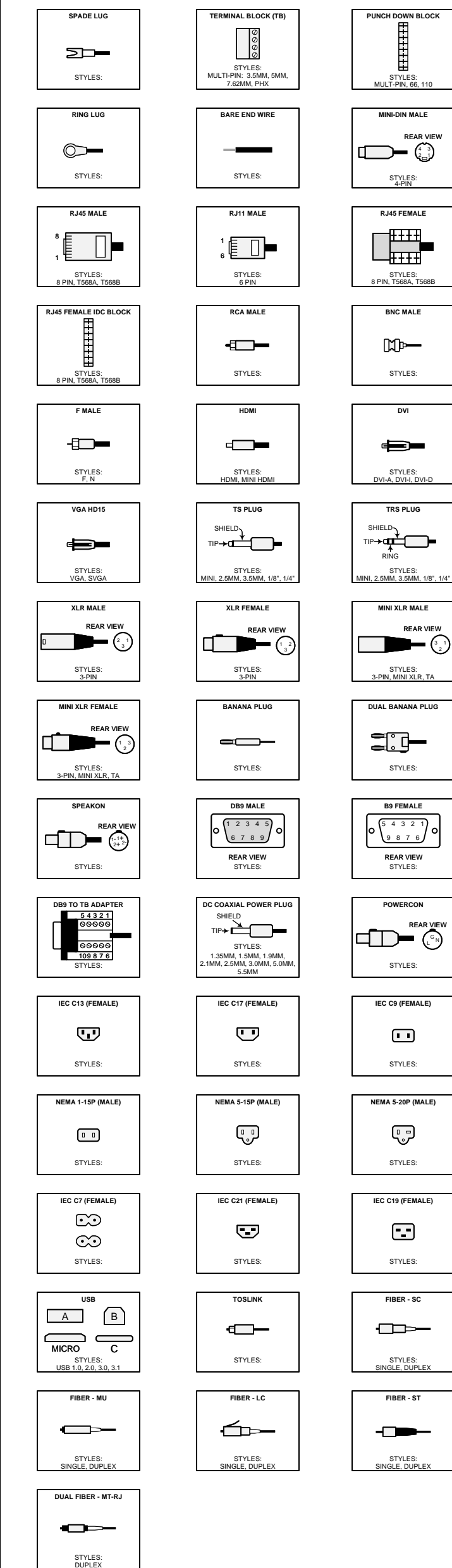
NEXT WIRE NO.

SCALE
3" = 1'-0"

PROJECT NUMBER
50-1775

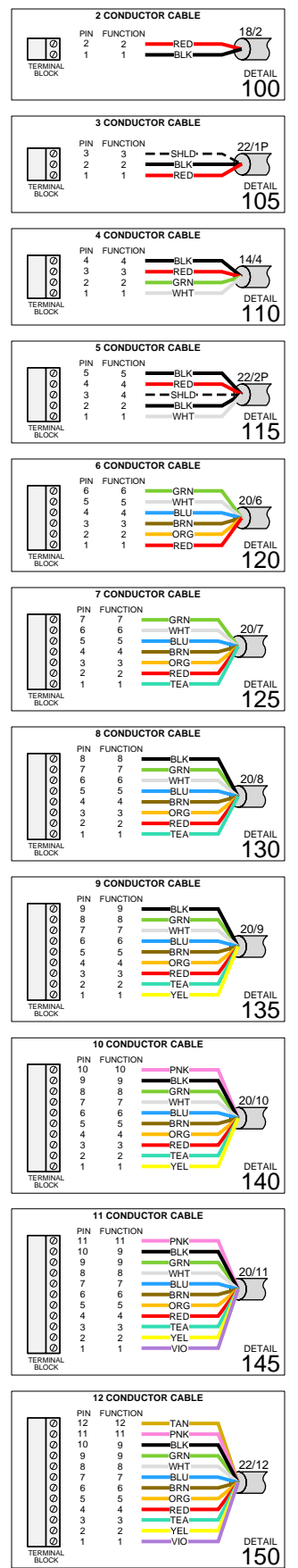
PAGE
5 OF 46

COMMON TERMINATION TYPES

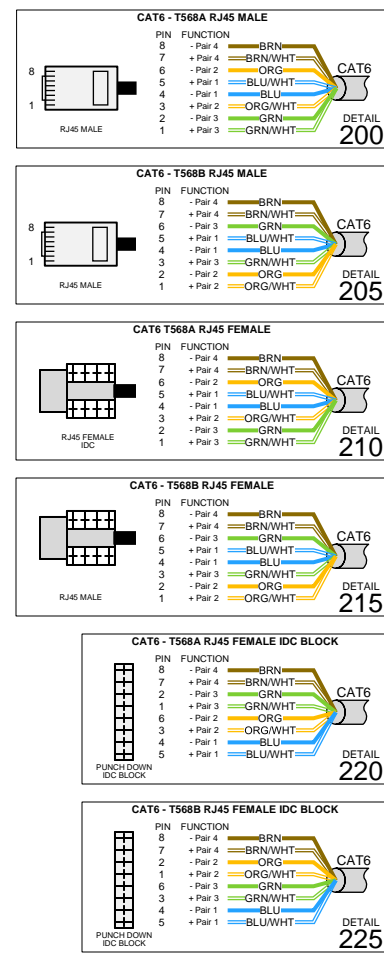


COMMON TERMINATION DETAILS

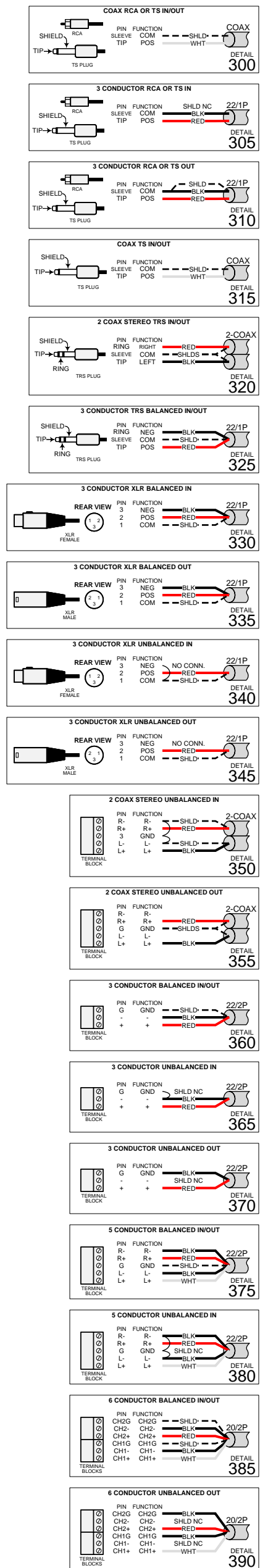
GENERAL



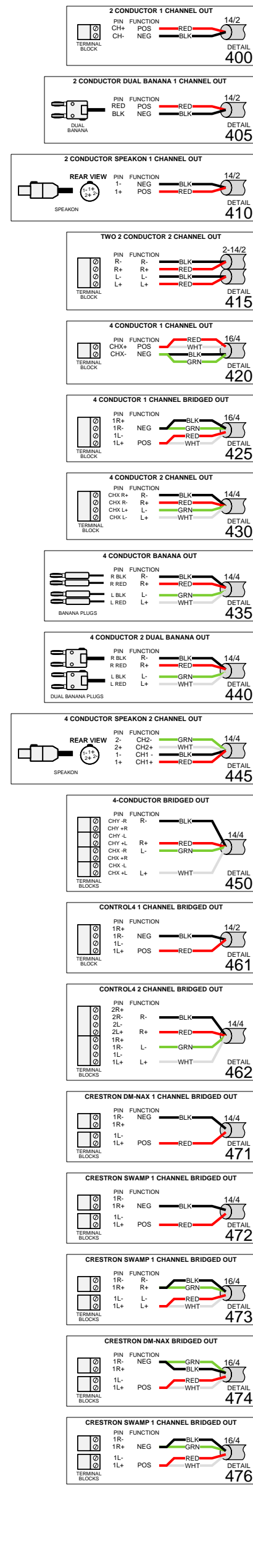
NETWORK



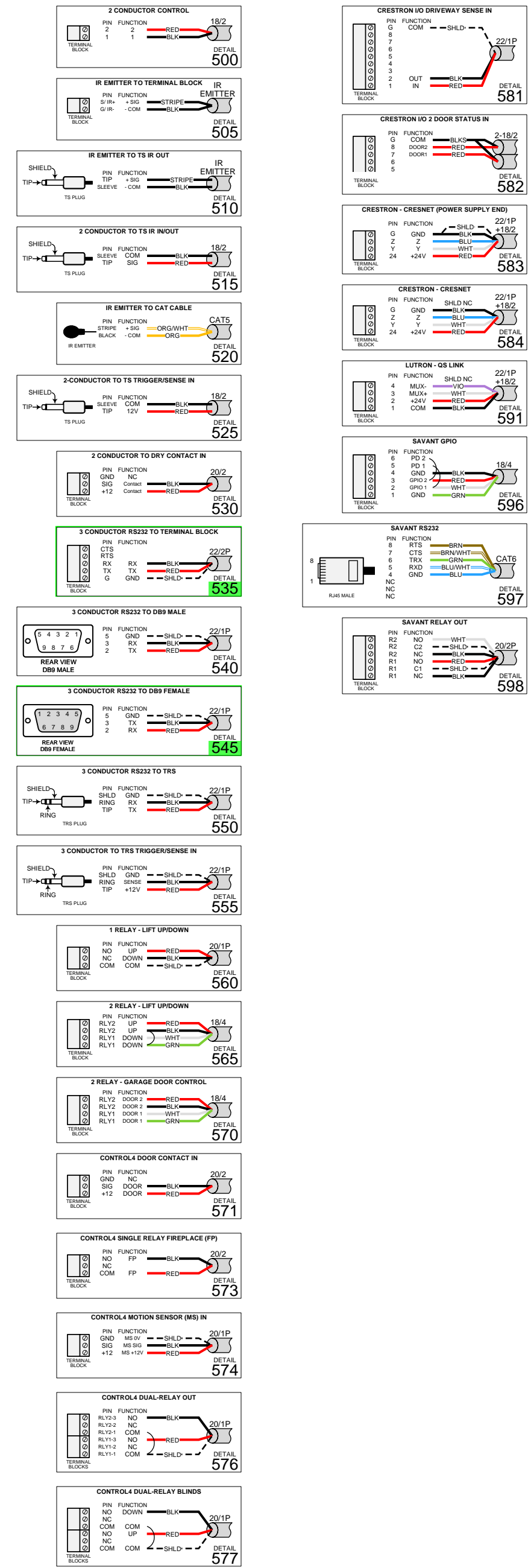
AUDIO



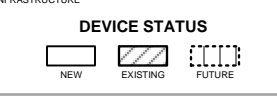
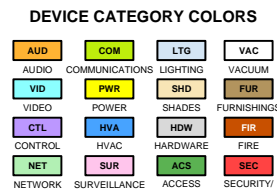
LOUDSPEAKER



CONTROL



TECHNOLOGY ASSOCIATES
147 DEVENSHIRE DR
STATE COLLEGE, PA 16803
(814) 231 7755
TECKASSOCIATESINC.COM



DEVICE MOUNT TYPE ABBREVIATIONS

C = CEILING
DES = DESKTOP
FL = FLOOR
F = FLUSH
G = GROUND
H = HOODEN
Q = OUTDOOR
P = PEDISTAL

POD = POOLUM
POL = POLE
RM = RACK
R = ROOF
REC = RECESSED
S = SURFACE
T = TURNSTYLE
W = WALL

NOTICE:
IT IS A VIOLATION OF LAW FOR ANY PERSON, UNLESS ACTING UNDER THE PERMISSION OF TECHNOLOGY ASSOCIATES TO ALTER OR COPY ANY PART OF THIS DOCUMENT IN ANY WAY. THIS DOCUMENT IS THE PROPERTY OF TECHNOLOGY ASSOCIATES AND SHALL NOT BE DUPLICATED WITHOUT WRITTEN PERMISSION FROM TECHNOLOGY ASSOCIATES.

TITLE
HEMPEN THEATER

DESCRIPTION
WIRE TERMINATIONS

PROJECT MANAGER
KC
DRAWN BY
BC

DATE
10/4/2022
REVISED
10/4/2022

NEXT WIRE NO.
SCALE
NONE

PROJECT NUMBER
50-1775

PAGE
6 OF 46